

ARISTARCO

CATALOGO PARTI DI RICAMBIO
SPARE PARTS CATALOGUE
CATALOGUE PIECES DETACHEES
ERSATZTEILKATALOG
CATALOGO DE PIEZAS DE RICAMBIO
CATALOGO PEÇAS DE REPOSIÇÃO

MOD. AH 1040E
Dishwasher basket 50x50
Partial double skinned
Electronic controls

INFORMAZIONI GENERALI

- A. Il catalogo serve per richiedere con esattezza le parti di ricambi, in base al **MODEL** indicato nella matricola della macchina. Negli ordini indicare la posizione, il codice, la descrizione e la quantità delle parti di ricambio;
- B. I disegni delle parti di ricambio sono indicativi e NON rappresentano il pezzo reale;
- C. I dati contenuti in questo catalogo sono indicativi e possono essere soggetti a modifiche senza preavviso.

GENERAL INFORMATION

- A. This catalog order exactly the right spare parts, according to the **MODEL** indicated on the identification plate of the machine. When ordering, specify the position, the code, the description and the quantity of spare parts;
- B. The spare parts drawings are general and DO NOT represent the real part;
- C. The contents of this catalog are general, and can undergo changes without prior notice.

INFORMATIONS GÉNÉRALES

- A. Ce catalogue est utilisé pour commander exactement les pièces détachées, selon le **MODEL** indiqué sur la plaque d'identification de la machine. Les commandes doivent indiquer la position, le code, la description et la quantité des pièces détachées;
- B. Les dessins des pièces détachées sont indicatif, et NE représentent pas le pièces concernée;
- C. Les données de ce catalogue sont citées seulement à titre indicatif et peuvent être l'objet de modifications sans avis préalable.

LETTURA DELLA MATRICOLA MACCHINA

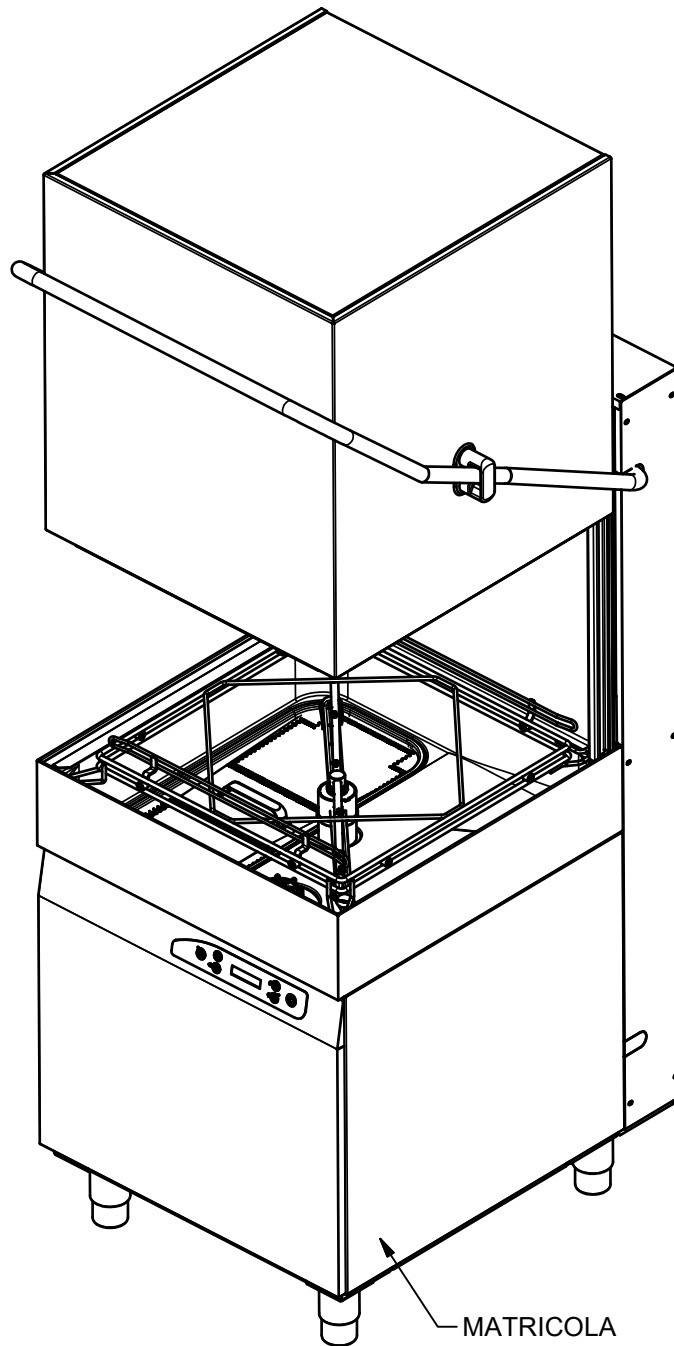
CONSTRUCTION OF MACHINE ID NUMBER

LECTURE DONNÉE DE LA MACHINE

DATI IDENTIFICATIVI
IDENTIFICATION DATA
DONNÉES D'IDENTIFICATION

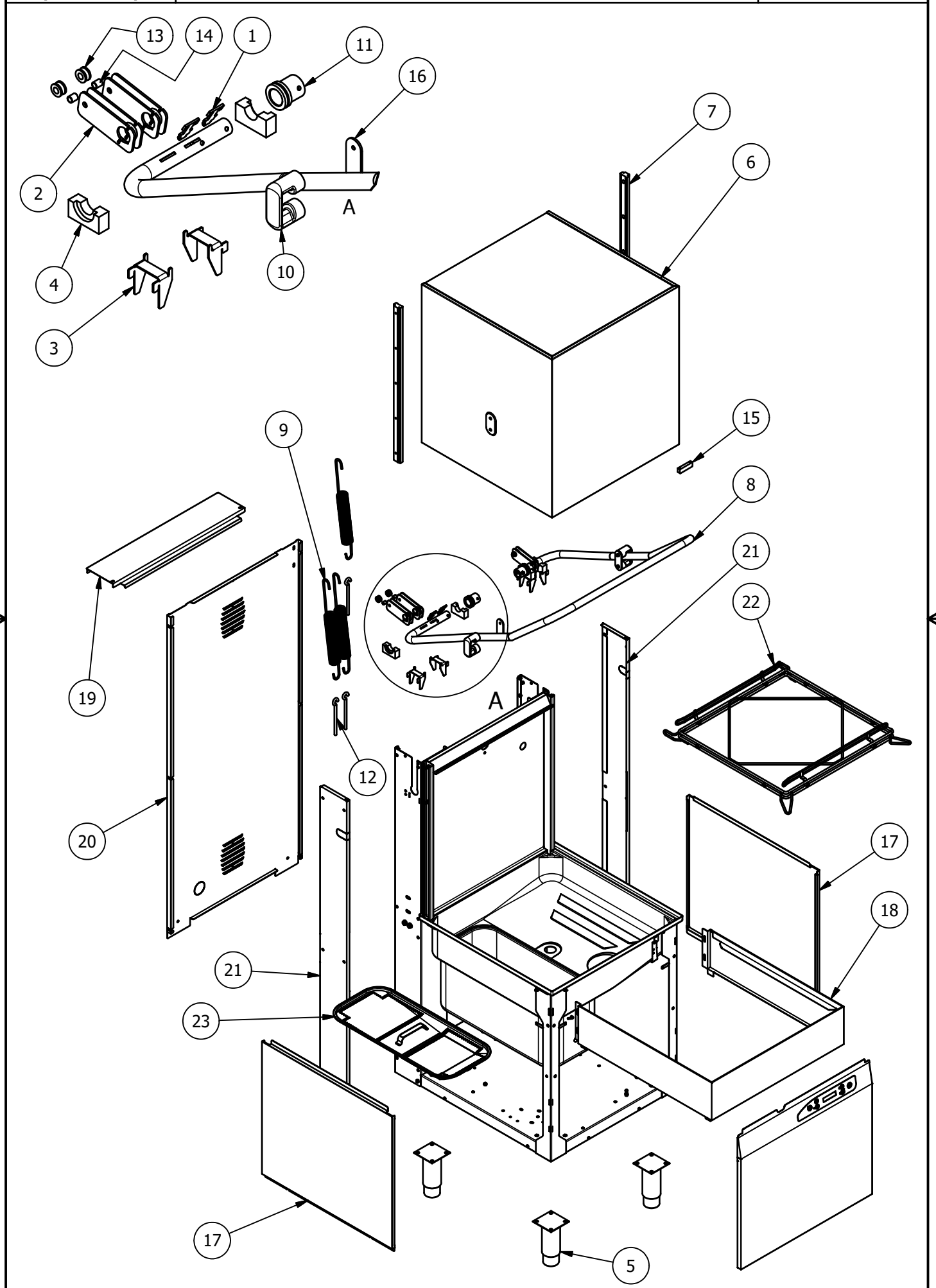
| | |
|---|--|
| LOGO FABBRICANTE MANUFACTURER LOGO | INDIRIZZO FABBRICANTE MANUFACTURER ADDRESS |
| <p>MODEL</p> <p>TYPE</p> <p>CODE 1234-123456</p> <p>SERIAL No. YYYYYYYY</p> <p>ARTICLE</p> | <p>220-240V~50Hz</p> <p> 14A</p> <p>Power 3185 W</p> <p>IP25</p> |
| <p>WATER SUPPLY 200+500 kPa/MAX 50°C</p> <p>Electronic code: XXXX</p> <p>PW: XXXX</p> | |
| | |

DATI TECNICI
TECHNICAL SPECIFICATIONS
DONNÉES TECHNIQUES



MATRICOLA
IDENTIFICATION PLATE
PLAQUE D'IDENTIFICATION

| TAV 1 | CARROZZERIA | BODY | CARROSSERIE |
|-------|--------------------------------------|--------------------------------------|---|
| TAV 2 | COMPONENTI ELETTRICI | ELECTRICAL COMPONENTS | COMPOSANTS ÉLECTRIQUES |
| TAV 3 | COMPONENTI IDRAULICI | HYDRAULIC COMPONENTS | COMPOSANT HYDRAULIQUES |
| TAV 4 | BRACCI LAVAGGIO / RISCIAQUO | WASH/RINSE ARMS | BRAS DE LAVAGE ET RINÇAGE |
| TAV 5 | POMPA DI SCARICO | DRAIN PUMP | POMPE DE VIDANGE |
| TAV 6 | ADDOLCITORE | WATER SOFTNER | ADOUCESSEUR |
| TAV 7 | PANNELLO DI CONTROLLO | FRONT PANEL | PANNEAU DE CONTROLE |
| TAV 8 | POMPA DI LAVAGGIO | WASHING PUMP | POMPE DE LAVAGE |
| TAV 9 | DOSATORE DETERGIVO E BRILLANTANTE | DETERGENT AND RINSE AID DISPENSER | DOSEURS PRODUIT DE LAVAGE ET RINÇAGE |



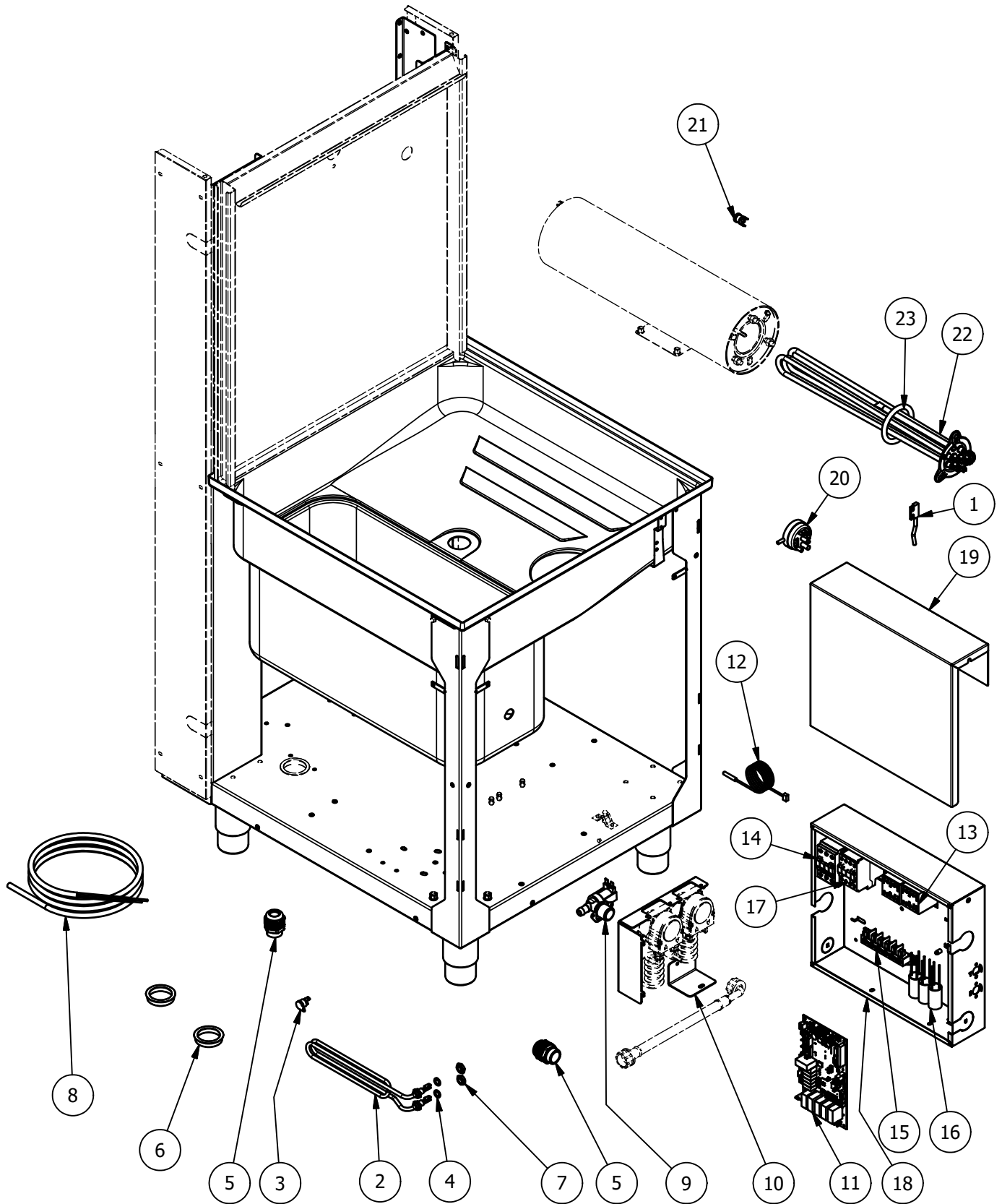
REV.01
(08/2020)

AH 1040E
CARROZZERIA - BODY - CARROSSERIE

TAV.1_2

| ELEM. | CODICE | DA/FROM MATR. | DESCRIZIONE | DESCRIPTION [EN] | DESCRIPTION [FR] | U.M. |
|-------|-----------|------------------|---|-----------------------------------|--|------|
| 1 | 3056-0038 | | PROFILO BLOCCA PIASTRA MOLLE | SPRING PLATE LOCK | ARRET DE RESSORT | No. |
| 2 | 3051-0031 | | PIASTRA FISSAGGIO MOLLE | SPRING PLATE | ASSIETTE DU RESSORT | No. |
| 3 | 3002-0054 | | SUPPORTO FISSAGGIO MANIGLIONE | HANDLE FIXING PLATE | PLAQUE DE FIXATION DE LA POIGNÉE | No. |
| 4 | 00014390 | | SUPPORTO MANIGLIONE | HANDLE SUPPORT | SUPPORT DE POIGNÉE | No. |
| 5 | 00012041 | | PIEDINO FLANGIATO | ADJUSTABLE FEET | PIEDS RÉGLABLES | No. |
| 6 | 8302-0019 | | CAPPOTTINA SALDATA SINGOLA PARETE | SINGLE SKINNED HOOD ASSY | CAPOT ASSY UNIQUE PEAU | No. |
| 6A | 8302-0020 | | CAPPOTTINA SALDATA DOPPIA PARETE (OPT) | DOUBLE SKINNED HOOD ASSY (OPT) | CAPOT ASSY DOUBLE PEAU (OPT) | |
| 7 | 00014398 | | GUIDA SCORRIMENTO | RAIL GUIDE | GUIDE DE RAIL DE CAPOT | No. |
| 8 | 00016878 | | MANIGLIONE | HOOD LIFT HANDLE | POIGNÉE DE LEVAGE DU CAPOT | No. |
| 9 | 00002543 | | MOLLA A TRAZIONE (*) | TRACTION SPRING (*) | RESSORT DE TRACTION (*) | No. |
| 10 | 00014789 | | GUIDA SCORRIMENTO MANIGLIONE | GUIDE FOR HOOD LIFT HANDLE | GUIDE POUR POIGNÉE DE LEVAGE DU CAPOT | No. |
| 11 | 00014616 | | BOCCOLA PER TUBO MANIGLIONE | BUSHING FOR HOOD LIFT HANDLE | BAGUE POUR POIGNÉE DE LEVAGE DU CAPOT | No. |
| 12 | 00006558 | | GANCIO M8x120 | HOOK M8x120 | CROCHET M8x120 | No. |
| 13 | 00002576 | | RULLINO PER MOLLA | SPRING ROLLER | ROULEAU DE RESSORT | No. |
| 14 | 00002574 | | BUSSOLA PER RULLINO | SLEEVE BEARING | ROULEMENT À MANCHON | No. |
| 15 | 00016006 | | UNITÀ MAGNETICA (*) | MAGNETIC UNIT (*) | UNITÉ MAGNÉTIQUE (*) | No. |
| 16 | 3051-0032 | | PIASTRA INTERNA | INTERNAL PLATE | PLAQUE INTERNE | No. |
| 17 | 3011-0005 | | PANNELLO LATERALE DX/SX | SIDE PANEL RH/LH | PANNEAU LATÉRAL DR/GAU | No. |
| 18 | 3009-0001 | | FASCIA COPRI BORDO ALTA | TANK COVER BAND | BANDE DE COUVERCLE DE RÉSERVOIR | No. |
| 19 | 3012-0008 | | SCHIENALE SUPERIORE | UPPER PANEL | PANNEAU SUPÉRIEUR | No. |
| 20 | 3012-0007 | | SCHIENALE INTERO | REAR PANEL | PANNEAU ARRIÈRE | No. |
| 21 | 3011-0006 | | PANN. COPRI LONGHERONE DX-SX | ROOF PANEL RH/LH | PANNEAU DE TOIT DR/GAU | No. |
| 22 | 00015360 | | ASS. PORTACESTO | BASKET FRAME ASSY | CADRE DE PANIER ASSY | No. |
| 23 | 00014801 | | FILTRO VASCA | TANK FILTER | FILTRE DE RÉSERVOIR | No. |

(*) RICAMBI CONSIGLIATI / RECOMMENDED SPARE PARTS / PIÈCES DÉTACHÉES RECOMMANDÉES

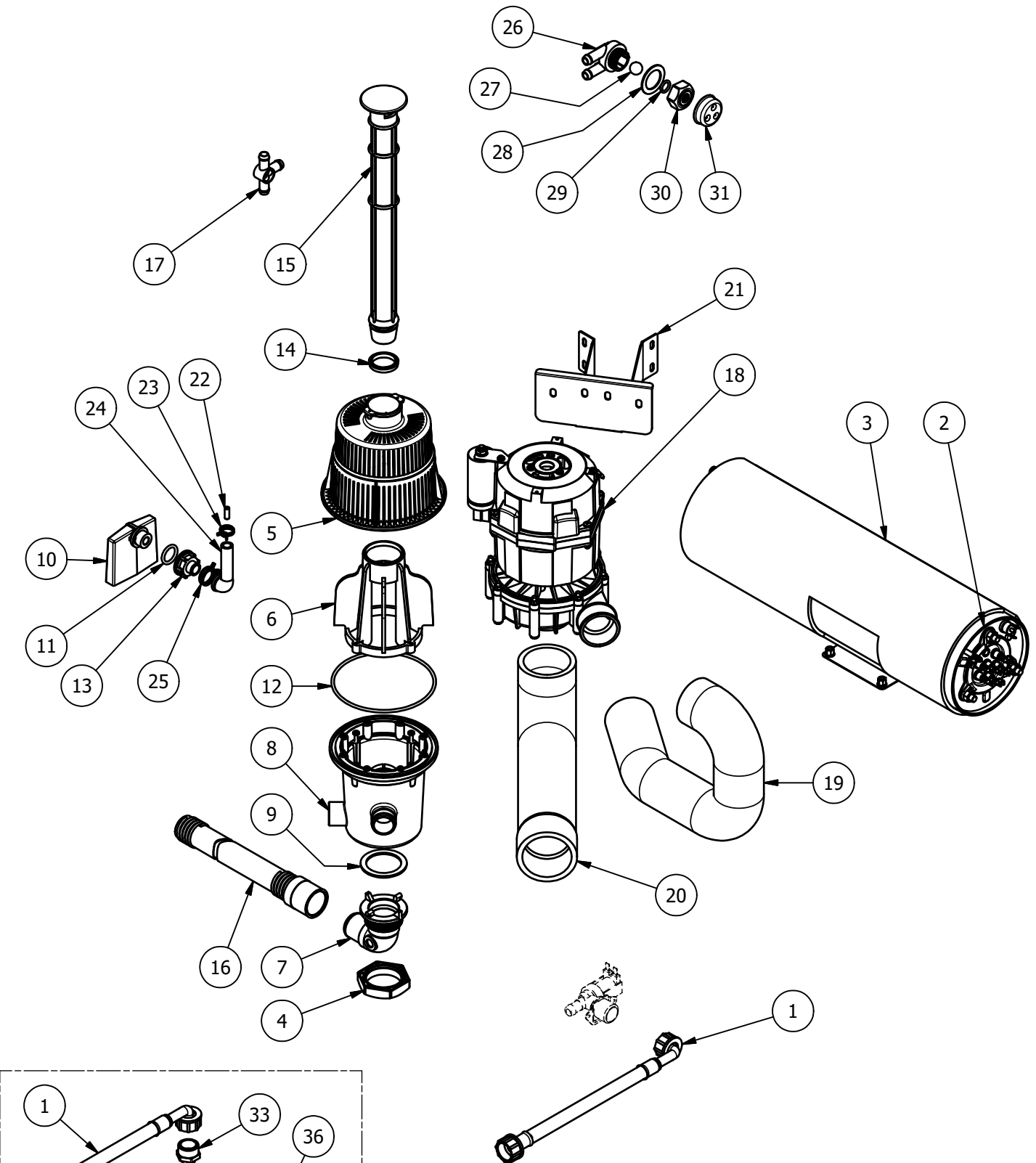


REV.01
(08/2020)AH 1040E
COMPONENTI ELETTRICI - ELECTRICAL COMPONENTS - COMPOSANT ELECTRIQUES

TAV.2_2

| ELEM. | CODICE | DA/FROM MATR. | DESCRIZIONE | DESCRIPTION [EN] | DESCRIPTION [FR] | U.M. |
|-------|-----------|------------------|---|--|--|------|
| 1 | 00012685 | | MICROINTERRUTTORE MAGNETICO (*) | MICRO SWITCH (*) | CAPTEUR MAGNETIQUE OUV. DE PORTE (*) | No. |
| 2 | 00014795 | | RESISTENZA 230V 2.8kW (*) | RESISTANCE 230V 2.8kW (*) | RÉSISTANCE 230V 2.8kW (*) | No. |
| 3 | 00004066 | | TERMOSTATO BIMETALL. A R.M. (*) | MANUAL RESET SAFETY THERMOSTAT (*) | THERMOSTAT DE SECURITÉ À RÉARM. MANUEL (*) | No. |
| 4 | 00000697 | | OR 112 | OR 112 | OR 112 | No. |
| 5 | 00000462 | | FISSACAVO PG 21 | PG 21 CABLE CLAMP | GUIDE DU CABLE PG 21 | No. |
| 6 | 00014489 | | PASSACAVO | CABLE GUIDE | GUIDE DU CABLE | No. |
| 7 | 00000267 | | DADO M10 OTTONE | M10 BRASS NUT | ÉCROU M10 LAITON | No. |
| 8 | 00002776 | | CAVO ALIMENTAZIONE 5G 3.5 | POWER CABLE 5G 3.5 | CABLE D'ALIMENTATION 5G 3.5 | No. |
| 9 | 00000394 | | ELETTOVALV. SING. 90° 230V (*) | SINGLE SOLEN. VALVE 90° 230V (*) | ELECTROV. UNIQUE 90° 230V (*) | No. |
| 10 | 00014349 | | SUPPORTO DOSATORI | DETERGENT DISPENSER SUPPORT | DOSEUR SOUTIEN | No. |
| 11 | 4030-0002 | | SCHEDA ELETTRONICA 12 RELEĀ (*) | 12 RELAYS ELECTRONIC CARDBOARD (*) | CARTE ÉLECTRONIQUE 12 RELAIS (*) | No. |
| 12 | 4011-0002 | | SONDA NTC AMP MODU II PER BOILER/VASCA (*) | NTC PROBE AMP MODU II FOR BOILER/TANK (*) | SONDE NTC AMP MODU II POUR CHAUDIÈRE/RÉSERVOIR (*) | No. |
| 13 | 00005140 | | TELERUTTORE 230V 50-60Hz (*) | CONTACTOR 230V 50-60Hz (*) | TELERUPETUR 230V 50-60Hz (*) | No. |
| 14 | 4016-0001 | | TELERUTTORE BF26 230 45 | CONTACTOR BF26 230 45 | TELERUPETUR BF26 230 45 | No. |
| 15 | 4055-0001 | | MORSETTIERA FV122 40A 450V | TERMINAL BOARD FV122 40A 450V | BLOC TERMINAL FV122 40A 450V | No. |
| 16 | 00002779 | | FILTRO ANTIDISTURBO 0,47 uF | FILTER 0,47 uF | FILTRE ANTIPARASITE 0.47 uF | No. |
| 17 | 00004375 | | TELERUTTORE 230V 50Hz BF09 4.2kW | CONTACTOR 230V 50Hz BF09 4.2kW | TELERUPETUR 230V 50Hz BF09 4.2kW | No. |
| 18 | 3024-0001 | | SCATOLA QUADRO ELETTRICO | WIRING METAL BOX | BOÎTE ÉLECTRIQUE | No. |
| 19 | 3022-0004 | | PANNELLO CHIUSURA SCATOLA ELETTRICA | WIRING METAL BOX COVER | COUVERTURE BOÎTE ÉLECTRIQUE | No. |
| 20 | 00016037 | | PRESSOSTATO LIVELLO 125/45 (*) | PRESSURE SWITCH 125/45 (*) | PRESSOSTAT DE NIVEAU D'EAU 125/45 (*) | No. |
| 21 | 00004913 | | TERMOSTATO BIMETALL. A R.M. (*) | MANUAL RESET SAFETY THERMOSTAT (*) | THERMOSTAT DE SECURITÉ À RÉARM. MANUEL (*) | No. |
| 22 | 00014802 | | RESISTENZA 230V 9kW | RESISTANCE 230V 9kW | RÉSISTANCE 230V 9kW | No. |
| 23 | 00000057 | | OR PER FLANGIA BOILER (*) | OR FOR BOILER FLANGE (*) | OR POUR BRIDE DU CHAUD. (*) | No. |

(*) RICAMBI CONSIGLIATI / RECOMMENDED SPARE PARTS / PIECES DETACHEES RECOMMANDEES



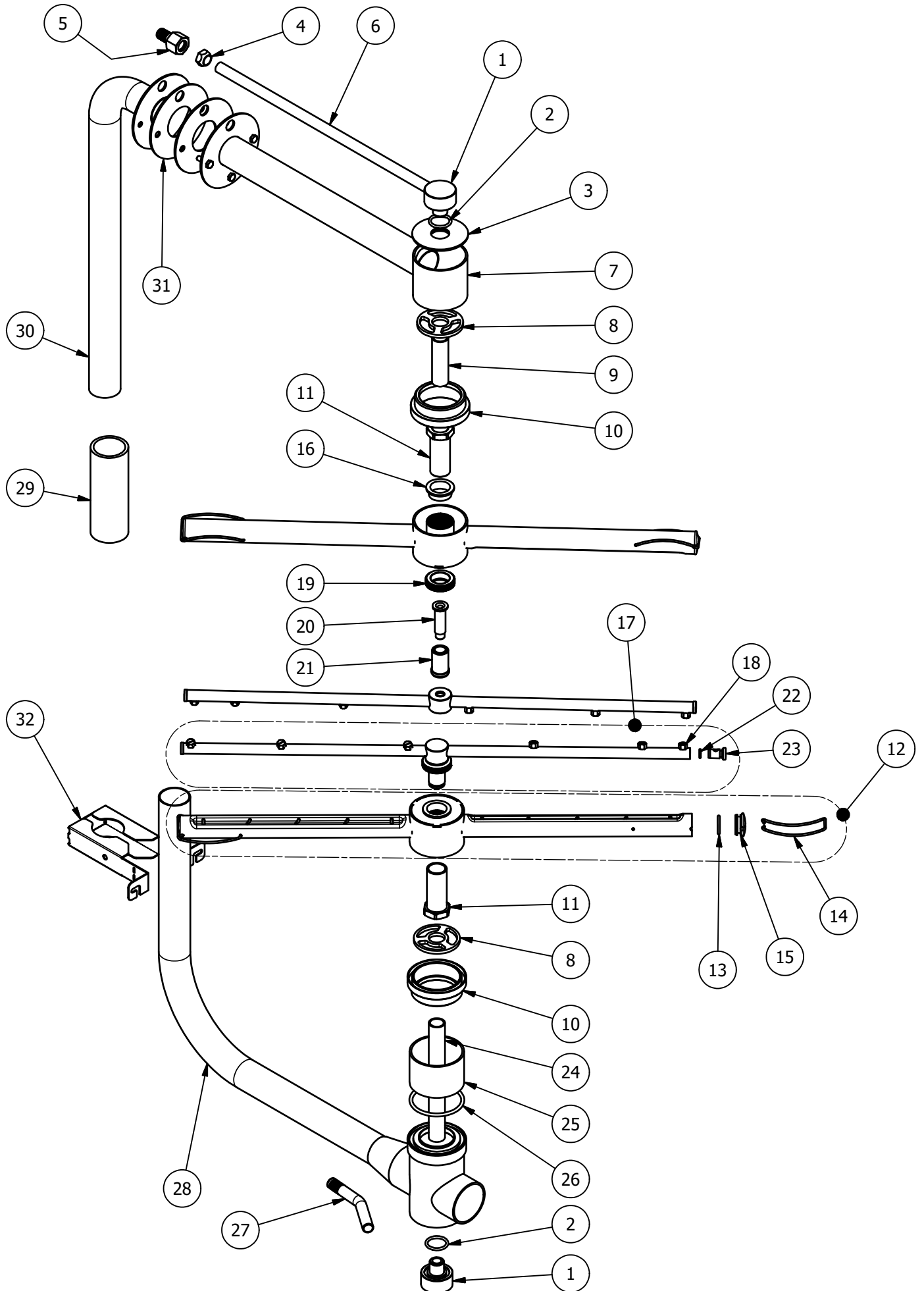
OPTIONAL:
KIT POMPA AUMENTO PRESSIONE - cod. 00005819
KIT BOOSTER PUMP - cod. 00005819
KIT POMPE AUGMENTATION PRESSION - cod. 00005819

REV.01
(08/2020)AH 1040E
COMPONENTI IDRAULICI - HYDRAULIC COMPONENTS - COMPOSANT HYDRAULIQUES

TAV.3_2

| ELEM. | CODICE | DA/FROM MATR. | DESCRIZIONE | DESCRIPTION [EN] | DESCRIPTION [FR] | U.M. |
|-------|-----------|------------------|--------------------------------|-------------------------------|---------------------------------|------|
| 1 | 00000139 | | TUBO CARICO L=2000mm | WATER INLET HOSE L=2000mm | WATER INLET HOSE L=2000mm | No. |
| 2 | 8309-0001 | | ASS. BOILER 8L | 8L BOILER ASSY | 8L BOILER ASSY | No. |
| 3 | 00015380 | | COIBENTAZIONE BOILER | BOILER INSULATION BAND | ISOLATION DE LA CHAUDIÈRE | No. |
| 4 | 00000203 | | DADO PILETTA | DRAIN SCREW | ÉCROU TASSE D'ÉCHAPP | No. |
| 5 | 00017156 | | FILTRO GRUPPO FILTR | FILTER OF FILT. GROUP | FILTRE CUVE | No. |
| 6 | 00017157 | | GHIERA GRUPPO FILTR. | THREADED RING | BAGUE POUR FILTRE | No. |
| 7 | 00017159 | | PILETTA DI SCARICO | DRAIN | TASSE D'ÉCHAPPEMENT | No. |
| 8 | 00017158 | | POZZETTO SCARICO | EXHAUST COCKPIT | PUITS DU FILTRE | No. |
| 9 | 00000204 | | GUARNIZIONE POZZETTO | EXHAUST COCKPIT GASKET | JOINT DU PUIITS DU FILTRE | No. |
| 10 | 00003535 | | GABBIA D'ARIA VASCA (*) | AIR TRAP (*) | TRAPPE D'AIR (*) | No. |
| 11 | 00002934 | | OR 4081 | OR 4081 | OR 4081 | No. |
| 12 | 00015315 | | OR 4500 | OR 4500 | OR 4500 | No. |
| 13 | 00003536 | | DADO GABBIA D'ARIA | NUT FOR AIR TRAP | ÉCROU POUR TR. DE L'AIR | No. |
| 14 | 000017178 | | GUARNIZIONE TROPPOPIENO | OVERFLOW GASKET | JOINT DU TROP PLEIN | No. |
| 15 | 00017160 | | TROPPOPIENO VASCA | OVERFLOW | TROP PLEIN EN PLASTIQUE | No. |
| 16 | 0002188 | | TUBO SCARICO L=2000mm | WATER OUTLET HOSE L=2000mm | TUYAU D'ENTRÉE L=2000mm | No. |
| 17 | 00004120 | | DISTRIBUTORE 3 VIE | THREE-WAY DISTRIBUTOR | DISTRIBUTEUR TROIS VOIES | No. |
| 18 | 00015238 | | POMPA LAV. 230V 50Hz 1kW | W. PUMP 50Hz 1kW | POMPE DE LAV. 50Hz 1kW | No. |
| 18A | 00016656 | | POMPA LAV. 230V 60Hz 1kW | W. PUMP 60Hz 1kW | POMPE DE LAV. 60Hz 1kW | No. |
| 19 | 00015202 | | MANICOTTO MANDATA POMPA | INLET PUMP HOSE | TUYAU D'ENTRÉE A LA POMPE | No. |
| 20 | 00015201 | | MANICOTTO ASPIRAZIONE POMPA | OUTLET PUMP HOSE | TUYAU DU SORTIE DA LA POMPE | No. |
| 21 | 00015199 | | SUPP. POMPA LAVAGGIO | WASHING PUMP SUPP. | SUPP. DU LA POMPE | No. |
| 22 | 00002933 | | TUBO TENUTA GABBIA D'ARIA | AIR TRAP JUNCTION | JONC. POUR TRAPPE D'AIR | No. |
| 23 | 00000388 | | FASCETTA BIFIL. Ø14.4X15.1 | CLAMP Ø14.4X15.1 | COLLIER Ø14.4X15.1 | No. |
| 24 | 00002927 | | RACCORDO ANTICONDENSA | FITTING | RACCORD ANTI-COND. | No. |
| 25 | 00000391 | | FASCETTA BIFIL. Ø19.6x20.6 | CLAMP Ø19.6x20.6 | COLLIER Ø19.6x20.6 | No. |
| 26 | 00002802 | | CORPO VALVOLA ANTIRIF. | NO RETURN VALVE BODY | CORPS VANNE ANTI REFLUX | No. |
| 27 | 00000144 | | SFERA 5/8" PTFE (*) | SPHERE 5/8" PTFE (*) | BALLE 5/8" PTFE (*) | No. |
| 28 | 00003086 | | GUARNIZIONE GOMMA | RUBBER GASKET | JOINT | No. |
| 29 | 00000123 | | OR 115 | OR 115 | OR 115 | No. |
| 30 | 00002803 | | GHIERA VALVOLA ANTIRIF. | NO RETURN VALVE RING NUT | ECROU CLAPET ANTI-RETOUR | No. |
| 31 | 00016213 | | COP. VALVOLA ANTIRIF. | COVER NO RETURN VALVE | COUV. CLAPET ANTI-RETOUR | No. |
| 32 | 00004316 | | CURVA 90° | 90° BEND | COURBE 90° | No. |
| 33 | 2015-0001 | | RACC. RIDUZIONE 3/4 M 3/8 M | REDUC. 3/4 M 3/8 M | REDUC. 3/4 M 3/8 M | No. |
| 34 | 00001387 | | RACCORDO | FITTING | RÉDUCTION | No. |
| 35 | 00000380 | | POMPA AUM. PRESS. 230V 50Hz | BOOSTER PUMP 230V 50Hz | POMPE AUGM. PRESS. 230V 50Hz | No. |
| 35A | 00004951 | | POMPA AUM. PRESS. 230V 60Hz | BOOSTER PUMP 230V 60Hz | POMPE AUGM. PRESS. 230V 60Hz | No. |
| 36 | 00005314 | | CAVO POMPA SUPPLEMENTARE | BOOSTER PUMP WIRING | CABLAGE POMPE AUGM. PRESS | No. |

(*) RICAMBI CONSIGLIATI / RECOMMENDED SPARE PARTS / PIECES DETACHEES RECOMMANDEES

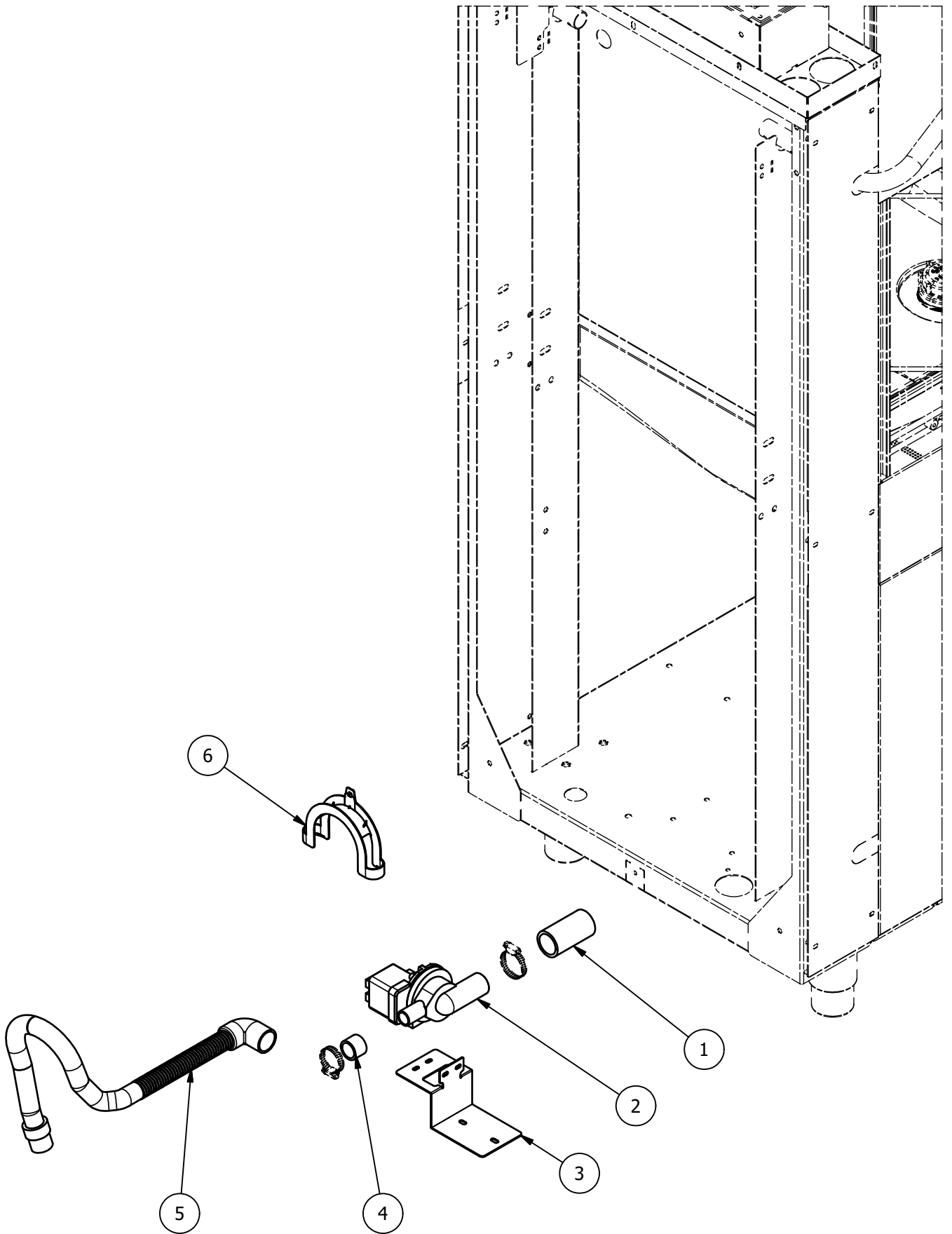


REV.01
(08/2020)AH 1040E
BRACCI DI LAVAGGIO/RISCIACQUO - WAS/RINSE ARMS - BRAS DE LAVAGE/RINCAGE

TAV.4_2

| ELEM. | CODICE | DA/FROM MATR. | DESCRIZIONE | DESCRIPTION [EN] | DESCRIPTION [FR] | U.M. |
|-------|-----------|------------------|----------------------------------|-----------------------------------|--------------------------------------|------|
| 1 | 00006590 | | RACCORDO A 90° | 90° ELBOW | RACCORD 90° | No. |
| 2 | 00000025 | | OR128 | OR128 | OR128 | No. |
| 3 | 8380-0010 | | ASS. DISCO RAMPA SUPERIORE | DISC ASSY OF SUP. WASHING PIPE | ENS. DISC DU TUYAU DE LAVAGE SUP. | No. |
| 4 | 00003265 | | DADO M12X1 | NUT M12x1 | ÉCROU M12x1 | No. |
| 5 | 00011992 | | RACCORDO PER TIRANTE INOX | SS TENSIONER CONNECTION | RACCORD EN INOX POUR TIRANT | No. |
| 6 | 00010952 | | TUBO RISCIACQUO SUP. | UPPER RINSE PIPE | TUYAU SUP. DU RINCAGE | No. |
| 7 | 8305-0001 | | ASSIEME RAMPA LAVAGGIO | WASHING PIPE ASSY | ENS. DE TUBES DE LAVAGE | No. |
| 8 | 00017541 | | FLANGIA INT. COPRITIRANTE | INTERNAL FLANGE | BRIDE INTERNE | No. |
| 9 | 00011088 | | TIRANTE SUPERIORE | UPPER TENSIONER | TENDEUR SUPÉRIEUR | No. |
| 10 | 00017510 | | FLANGIA INT. COPRITIRANTE | INTERNAL FLANGE | BRIDE INTERNE | No. |
| 11 | 00002587 | | PERNO DI LAVAGGIO | WASH PIN | PIN DE LAVAGE | No. |
| 12 | 00015519 | | ASS. GIRANTE LAVAGGIO | WASHING ARM | BRAS DE LAVAGE | No. |
| 13 | 00000093 | | OR 121 | OR 121 | OR 121 | No. |
| 14 | 00002654 | | MOLLA AD ARCHETTO | SPRING | RESSORT | No. |
| 15 | 00002650 | | TAPPO TUBI LAVAGGIO (*) | WASHING ARM CAP (*) | BOUCH. BRAS DE LAVAGE (*) | No. |
| 16 | 00002445 | | BUSSOLA IN TEFLON (*) | TEFLON PLAN BEARINGS (*) | ROULEMENTS PLAN TEFLON (*) | No. |
| 17 | 0002761C | | ASS. GIRANTE RISCIACQUO | RINSE ARM | BRAS DE RINCAGE | No. |
| 18 | 00017155 | | UGELLO RISCIACQUO INOX | RINSE NOZZLE | GICLEUR RINCAGE | No. |
| 19 | 00002416 | | GHIERA INOX | SS RING NUT | ECROU EN INOX | No. |
| 20 | 00002417 | | PERNO INOX | SS PIN | PIN EN INOX | No. |
| 21 | 00002419 | | BUSSOLA IN TEFLON | TEFLON PLAN BEARINGS | ROULEMENTS PLAN TEFLON | No. |
| 22 | 00002531 | | OR 106 | OR 106 | OR 106 | No. |
| 23 | 00002502 | | TAPPO RISCIACQUO (*) | RINSE ARM PLUG (*) | BOUCHON BRAS DE RINCAGE (*) | No. |
| 24 | 00014578 | | TIRANTE INFERIORE | LOWER TENSIONER | TENDEUR INFÉRIEUR | No. |
| 25 | 00017509 | | FODERO COPRITIR. INFERIORE | LOWER TENSIONER COVER | COUVERTURE DU TENDEUR INFÉRIEUR | No. |
| 26 | 00006546 | | OR 158 | OR 158 | OR 158 | No. |
| 27 | 00008648 | | RACCORDO INOX M12x1 | M12x1 SS FITTING | RACCORD M12x1 INOX | No. |
| 28 | 00014357 | | ASS. RAMPA INFERIORE LAVAGGIO | LOWER WASHING PIPE ASSY | TUYAU DE LAVAGE INFÉRIEUR | No. |
| 29 | 00002731 | | TUBO RADIOR d42x115 | d42x115 RADIOR PIPE | TUYAU RADIOR d42x115 | No. |
| 30 | 00010953 | | ASS. RAMPA SUPERIORE LAVAGGIO | UPPER WASHING PIPE ASSY | TUYAU DE LAVAGE SUPÉRIEUR | No. |
| 31 | 00010955 | | GUARNIZIONE GOMMA FLANGIA | GASKET FOR WASHING FLANGE | JOINT POUR BRIDE DE LAVAGE | No. |
| 32 | 00015381 | | SUPP. RAMPA LAVAGGIO | WASHING PIPE SUPPORT | SUPP. TUBES DE LAVAGE | No. |

(*) RICAMBI CONSIGLIATI / RECOMMENDED SPARE PARTS / PIÈCES DÉTACHÉES RECOMMANDÉES



KIT POMPA DI SCARICO COMPLETO - COMPLETE DRAIN PUMP KIT - KIT POMPE DE VIDANGE COMPLET: 16719

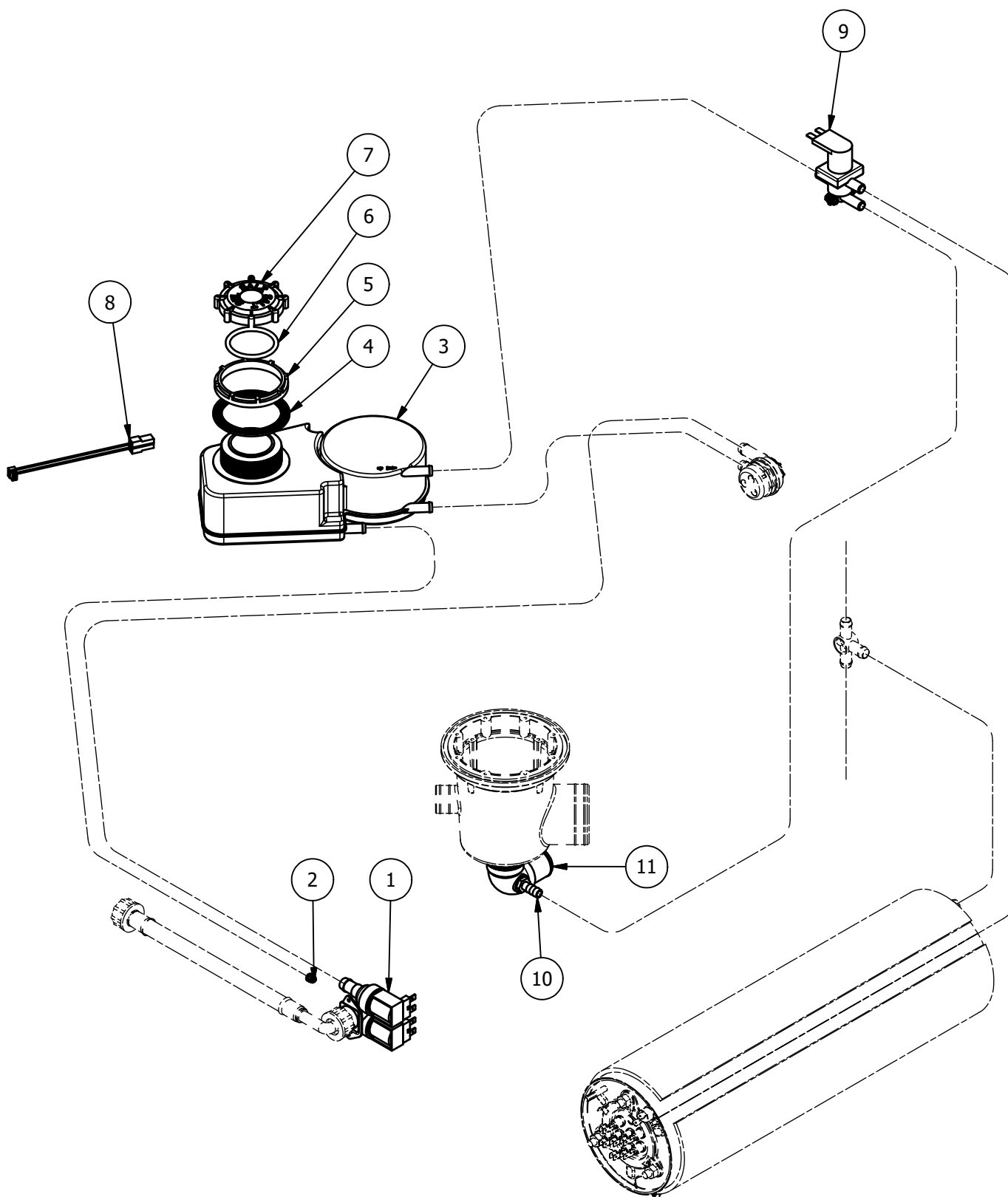
REV.01
(08/2020)

AH 1040E
KIT POMPA DI SCARICO - KIT DRAIN PUMP - KIT POMPE DE VINDAGE

TAV.5_2

| ELEM. | CODICE | DA/FROM MATR. | DESCRIZIONE | DESCRIPTION [EN] | DESCRIPTION [FR] | U.M. |
|-------|------------|------------------|---------------------------------------|--------------------------|-----------------------------------|------|
| 1 | 00003072 | | MANICOTTO | HOSE | TUYAU | No. |
| 2 | 00000379 | | POMPA DI SVUOTAMENTO 230V 50Hz (*) | DRAIN PUMP 230V 50Hz (*) | POMPE DE VIDANGE 230V 50Hz (*) | No. |
| 2A | 6006-0002 | | POMPA DI SVUOTAMENTO 230V 60Hz (*) | DRAIN PUMP 230V 60Hz (*) | POMPE DE VIDANGE 230V 60Hz (*) | No. |
| 3 | 00014606 | | SUPPORTO POMPA SCARICO | DRAIN PUMP SUPPORT | SUPPORT DU POMPE DE VIDANGE | No. |
| 4 | 3040-0002 | | TUBO EPDM | EPDM HOSE | TUYAU EN EPDM | No. |
| 5 | 0271500002 | | TUBO SCARICO L= 2500 mm | DRAIN HOSE L= 2500 mm | TUYAU D'ÉCHAPPEMENT L= 2500mm | No. |
| 6 | 00016395 | | CURVA SUPPORTO TUBO SCARICO | DRAIN HOSE SUPPORT | SUPPORT DU TUYAU D'ÉCHAPPEMENT | No. |

(*) RICAMBI CONSIGLIATI / RECOMMENDED SPARE PARTS / PIECES DETACHEES RECOMMANDEES



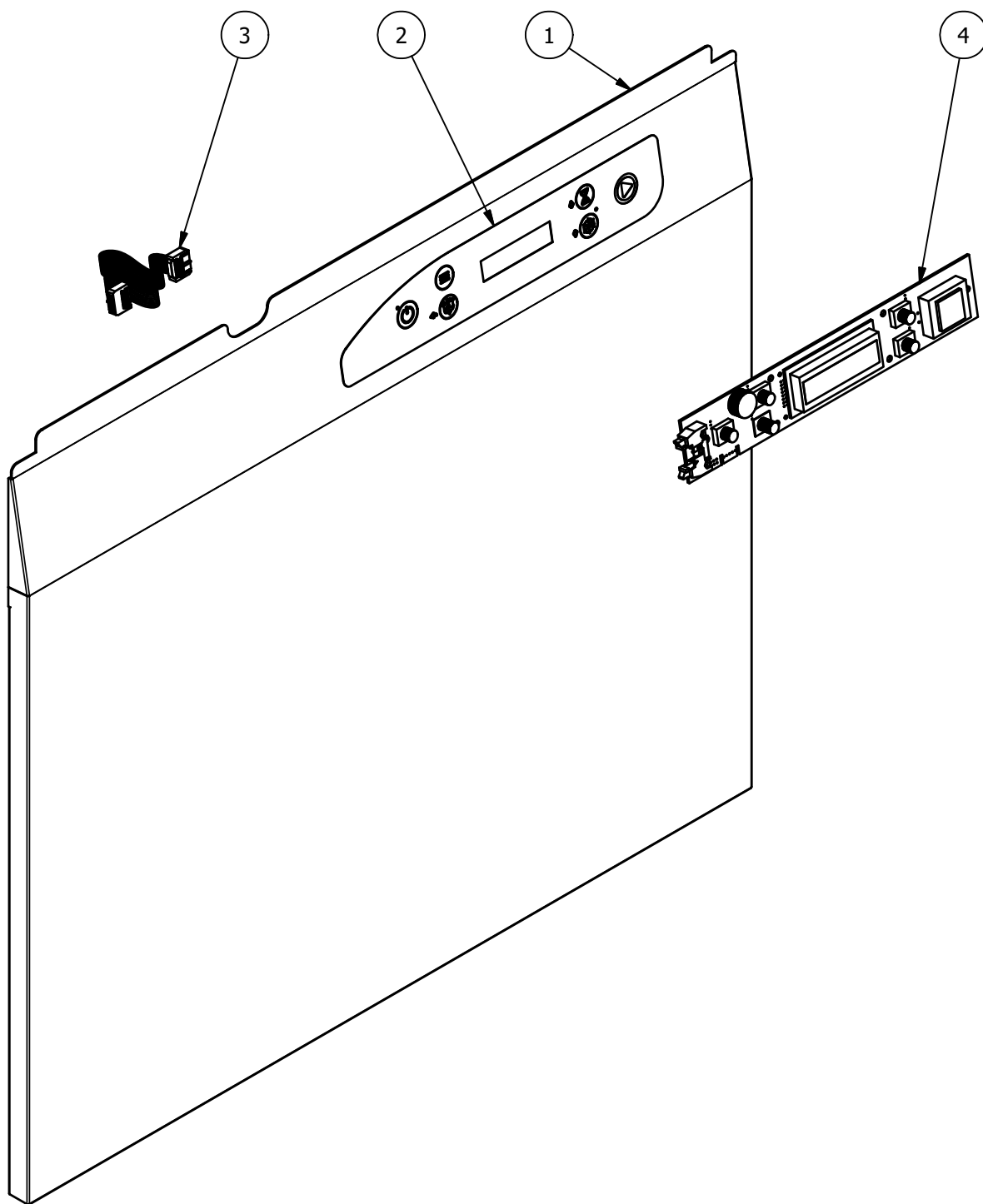
REV.01
(08/2020)

AH 1040E
ADDOLCITORE - WATER SOFTNER - ADOUCISSEUR

TAV.6_2

| ELEM. | CODICE | DA/FROM MATR. | DESCRIZIONE | DESCRIPTION [EN] | DESCRIPTION [FR] | U.M. |
|-------|-----------|------------------|--|---|---------------------------------------|------|
| 1 | 2017-0001 | | ELETTROVALVOLA DOPPIA 90° 230V 50/60 Hz (*) | SOLENOID VALVE 90° 230V 50/60 Hz (*) | ÉLECTROVANNE 90° 230V 50/60 Hz (*) | No. |
| 2 | 00006524 | | RIDUTTORE DI PORTATA USCITA 0.5 L/MIN | FLOW REDUCER 0.5 L/MIN | RÉDUCTEUR DE DÉBIT 0.5 L/MIN | No. |
| 3 | 00017209 | | ASS. ADDOLCITORE AUTOMATICO | AUTOM. WATER SOFTNER ASSY | ENS. DU L'ADOU CISSEUR | No. |
| 4 | 00006152 | | GUARNIZIONE | GASKET | JOINT | No. |
| 5 | 2019-0001 | | GHIERA ADDOLCITORE | THREADED RING OF WATER SOFTNER | BAGUE POUR L'ADOU CISSEUR | No. |
| 6 | 2060-0004 | | OR TAPPO ADDOLCITORE | CAP OR | OR DU CAP | No. |
| 7 | 2006-0001 | | TAPPO ADDOLCITORE | WATER SOFTNER CAP | CAP DU L'ADOU CISSEUR | No. |
| 8 | 4040-0003 | | CAVO COLLEGAMENTO ADDOLCITORE AUTOMATICO | WATER SOFTNER CONNECTION CABLE | CÂBLAGE DU L'ADOU CISSEUR | No. |
| 9 | 00015785 | | ELETTROV. DOPPIA USCITA (*) | SOLENOID VALVE DOBLE EXIT (*) | ÉLECTROVANNE À DOUBLE SORTIE (*) | No. |
| 10 | 00017298 | | PORTAGOMMA INOX 1/4" | SS FITTING 1/4" | RACCORD INOX 1/4" | No. |
| 11 | 00017299 | | PILETTA DI SCARICO | DRAIN CUP | TASSE D'ÉCHAPPEMENT | No. |

(*) RICAMBI CONSIGLIATI / RECOMMENDED SPARE PARTS / PIECES DETACHEES RECOMMANDEES



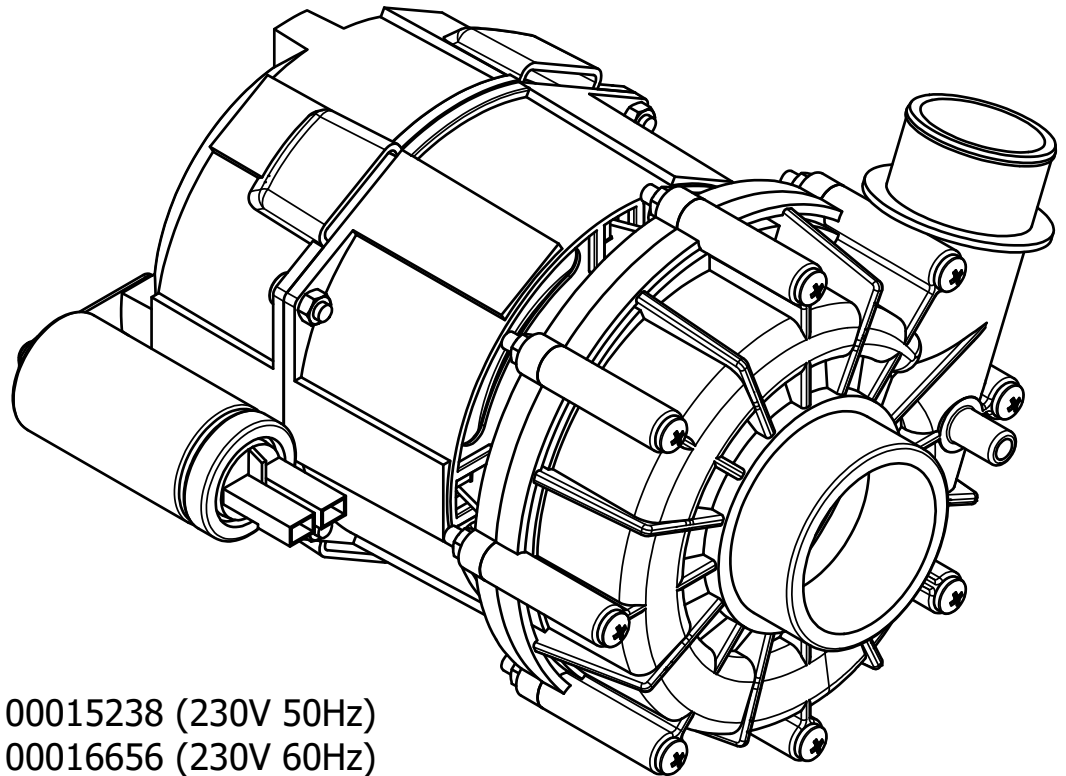
REV.01
(08/2020)

AH 1040E
PANNELLO COMANDI - FRONT PANEL - PANNEAU DE CONTROLE

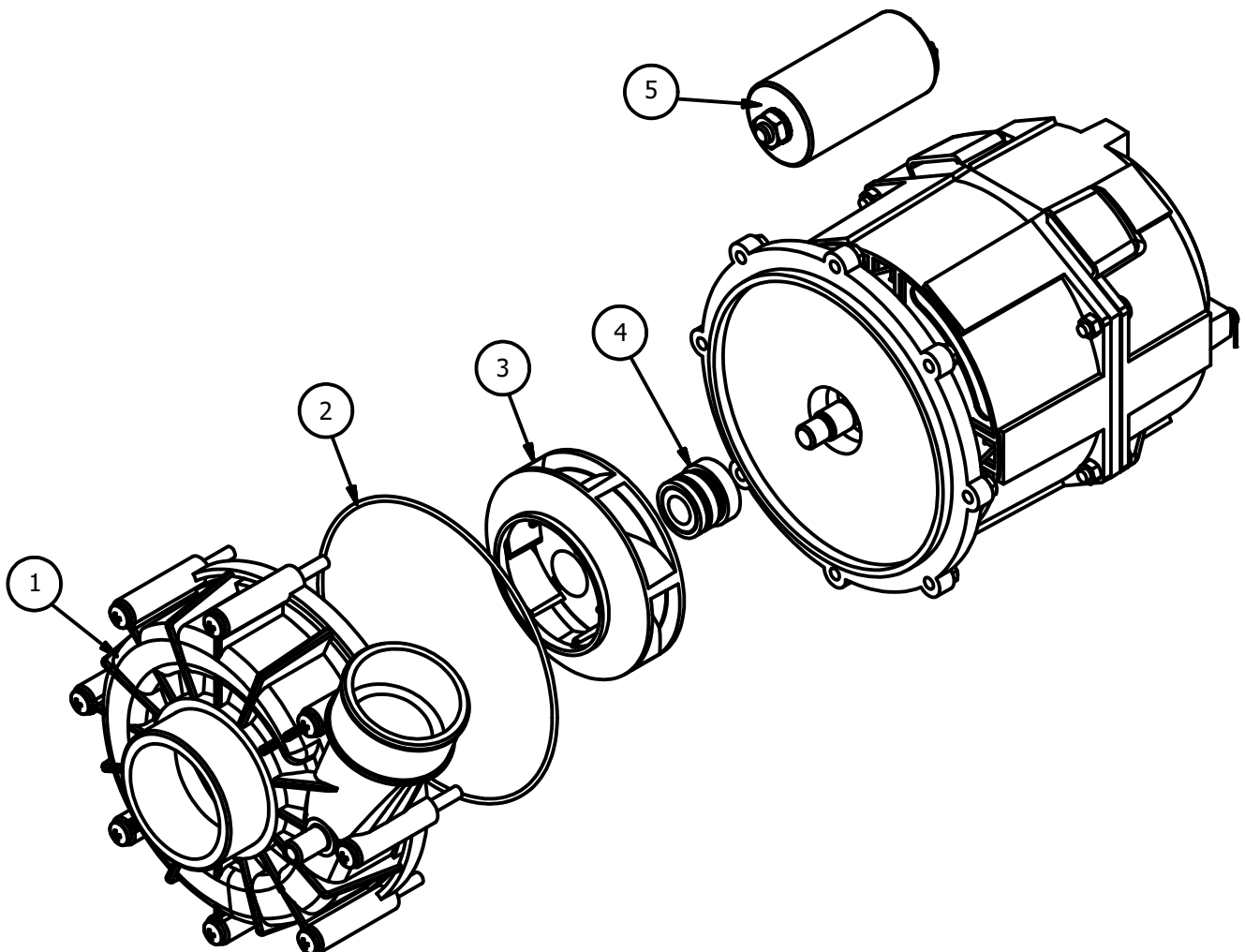
TAV.7_2

| ELEM. | CODICE | DA/FROM MATR. | DESCRIZIONE | DESCRIPTION [EN] | DESCRIPTION [FR] | U.M. |
|-------|-----------|------------------|-----------------------|-------------------------|---------------------------|------|
| 1 | 3013-0014 | | PANNELLO FRONTALE | FRONT PANEL | PANNEAU AVANT | No. |
| 2 | 3501-0064 | | MEMBRANA ADESIVA | ADHESIVE LABEL | MEMBRANE ADHÉSIVE | No. |
| 3 | 4040-0001 | | CAVO FLAT 10 FILI (*) | 10-WIRES FLAT CABLE (*) | CÂBLE PLAT À 10 FILS (*) | No. |
| 4 | 4035-0001 | | DISPLAY 6 TASTI (*) | 6-KEYS DISPLAY (*) | AFFICHAGE À 6 BOUTONS (*) | No. |

(*) RICAMBI CONSIGLIATI / RECOMMENDED SPARE PARTS / PIÈCES DÉTACHÉES RECOMMANDÉES



COD. 00015238 (230V 50Hz)
COD. 00016656 (230V 60Hz)



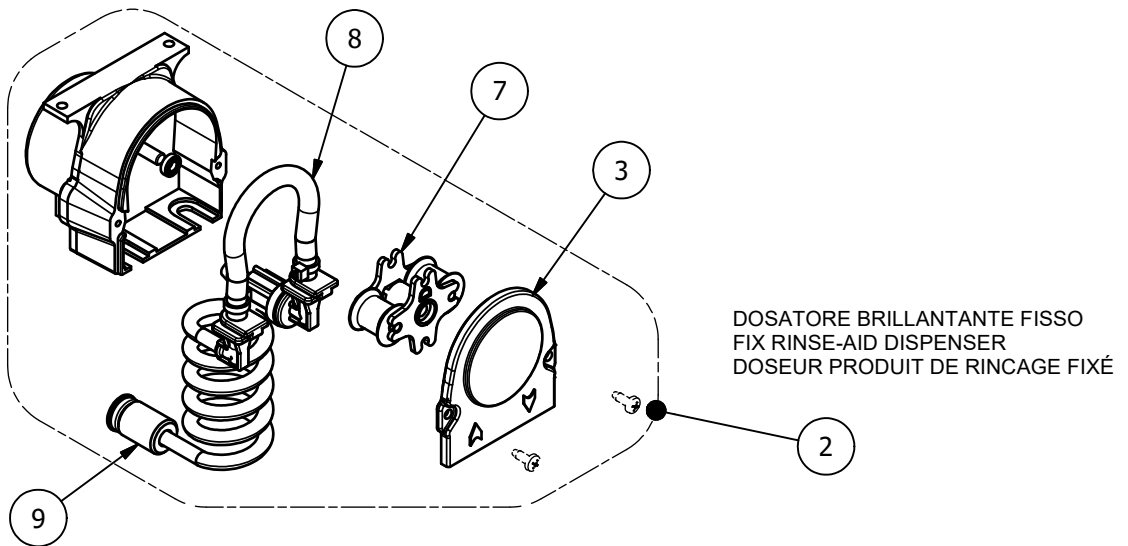
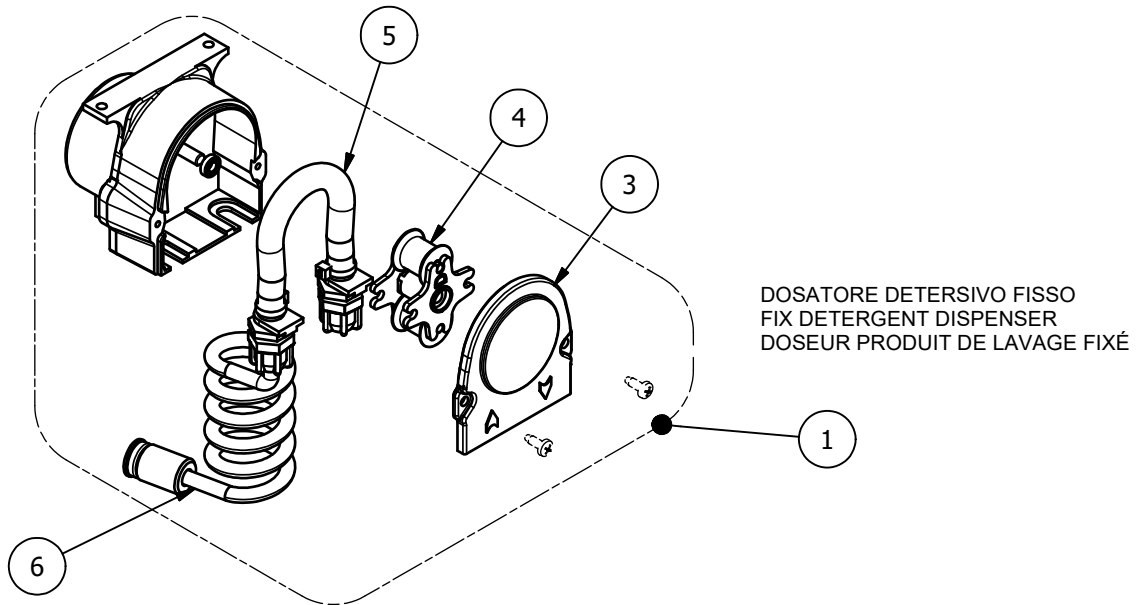
REV.01
(08/2020)

AH 1040E
POMPA DI LAVAGGIO - WASHING PUMP - POMPE DE LAVAGE

TAV.8_2

| ELEM. | CODICE | DA/FROM MATR. | DESCRIZIONE | DESCRIPTION [EN] | DESCRIPTION [FR] | U.M. |
|-------|----------|------------------|------------------------|------------------------|----------------------|------|
| 1 | 00016750 | | CHIOCCIOLA | PUMP CASE | CARTER POUR POMPE | No. |
| 2 | 00016747 | | GUARNIZIONE | GASKET | JOINT | No. |
| 3 | 00017483 | | GIRANTE PER POMPA 50Hz | IMPELLER FOR 50Hz PUMP | ROUE POUR 50hZ POMPE | No. |
| 3A | | | GIRANTE PER POMPA 60Hz | IMPELLER FOR 60Hz PUMP | ROUE POUR 60hZ POMPE | No. |
| 4 | 00014564 | | KIT TENUTA ROTANTE | SEAL KIT | KIT D'ÉTANCHÉITÉ | No. |
| 5 | 00002036 | | CONDENSATORE 16uF | CAPACITOR 16uF | CONDENSATEUR 16uF | No. |

(*) RICAMBI CONSIGLIATI / RECOMMENDED SPARE PARTS / PIECES DETACHEES RECOMMANDEES



REV.01
(08/2020)

AH 1040E

DOS. DET. E BRILL. - DETERG. AND RINSE-AID DISPENSER - DOS. PRODUIT DE LAV. ET RINC.

TAV.9_2

| ELEM. | CODICE | DA/FROM MATR. | DESCRIZIONE | DESCRIPTION [EN] | DESCRIPTION [FR] | U.M. |
|-------|-----------|------------------|--|---|--|------|
| 1 | 00016182 | | ASS. DOS.DETER. ELETTR. FISSO 3Lt/h | FIX DETER. DISPENSER 3Lt/h | DOSEUR PRODUIT DE LAV. FIXE 3Lt/h | No. |
| 2 | 8395-0011 | | ASS. DOS. BRILL. ELETTR. FISSO 0.5Lt/h | FIX RINSE AID DISPENSER 0.5Lt/h | DOSEUR RINCAGE FIXE 0.5Lt/h | No. |
| 3 | 8395-0013 | | COPERCHIO DI CHIUSURA | COVER ASSY | COUVERTURE DE FERMETURE | No. |
| 4 | 00006632 | | ASS. PORTARULLI DOS. DETERSIVO (*) | DETERGENT DISPENSER ROLL HOLDER ASSY (*) | ENSEMBLE SUPPORT DE ROULEAU DOSEUR PRODUIT DE LAV. (*) | No. |
| 5 | 00017128 | | TUBO INTERNO DOSAT. DETERSIVO (*) | INTERNAL DETERG. DISPENSER HOSE (*) | TUBE INTERNE POUR DOSEUR PRODUIT DE LAV. (*) | No. |
| 6 | 00005069 | | ASS. FILTRO DOSAT. DETERS. CON TUBO | DETERG. DISPENS. FILTER ASSY | ENS. DU FILTRE DU DOSEUR PRODUIT DE LAV. AVEC TUBE | No. |
| 7 | 8395-0014 | | ASS. PORTARULLI DOS. BRILL. (*) | RINSE AID DISPENSER ROLL HOLDER ASSY (*) | ENSEMBLE SUPPORT DE ROULEAU DOSEUR RINC. (*) | No. |
| 8 | 8395-0012 | | TUBO INTERNO DOSAT. BRILLANTE CON VALV. (*) | INTERNAL RINSE AID DISP. HOSE WITH VALVE (*) | TUBE INTERNE POUR DOSEUR RINC. AVEC VANNE(*) | No. |
| 9 | 00005070 | | ASS. FILTRO DOSAT. BRILL. CON TUBO | RINSE AID DISPENS. FILTER ASSY | ENS. DU FILTRE DU DOSEUR RINCAGE AVEC TUBE | No. |

(*) RICAMBI CONSIGLIATI / RECOMMENDED SPARE PARTS / PIECES DETACHEES RECOMMANDEES